

420-440W Mono

108 Half-Cell Layout

M10 N-TYPE Cell



N-TYPE TOP CON Cell Technology



SMBB Half Cut Cell Technology



Bifacial Cell Module Technologies

anti

PID
LID

Excellent Anti-PID Low LID Performance



Less Hot Spot Shading Effects



Higher Power Output Lower BOS & LCOE

- ISO9001:2015QMS
- ISO14001:2015 EMS
- ISO45001:2018 OHSMS
- IEC61215/IEC61730 Standard Quality
- IEC61701/IEC62716 Salt/Mist/Ammonia Tests



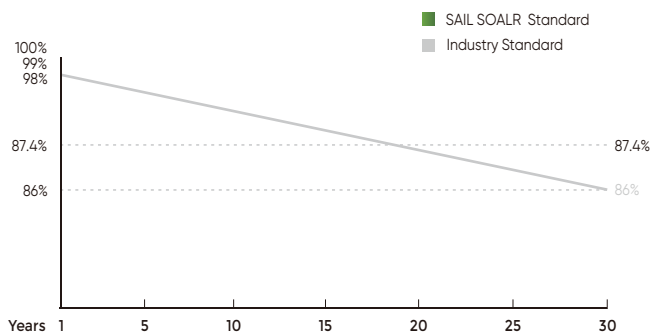
30
years

POWER WARRANTY

15
years

PRODUCT WARRANTY

Linear Performance Warranty



SAIL SOLAR Mono I 420-440W

ELECTRICAL PARAMETERS

POWER CLASS	SAS420N-108M10	SAS425N-108M10	SAS430N-108M10	SAS435N-108M10	SAS440N-108M10
	STC	STC	STC	STC	STC
Maximum power (Pmax)	420W	425W	430W	435W	440W
Open Circuit Voltage (Voc)	38.57V	38.81V	39.04V	39.27V	39.50V
Short Circuit Current (Isc)	13.96A	14.03A	14.10A	14.17A	14.24A
Voltage at Maximum power (Vmpp)	32.23V	32.44V	32.65V	32.85V	33.06V
Current Maximum Power (Impp)	13.03A	13.10A	13.17A	13.24A	13.31A
MODULE EFFICIENCY (%)	21.51%	21.76%	22.02%	22.28%	22.53%

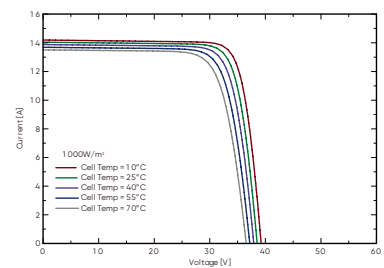
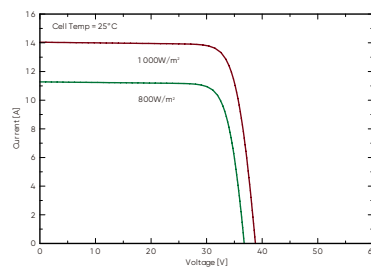
STC: Irradiance 1000W/m², cell temperature 25°C, AM1.5G

PACKING CONFIGURATION

Container	20'GP	40'HQ
Pieces per pallet	36	36
Pallets per container	6	26
Pieces per container	216	936

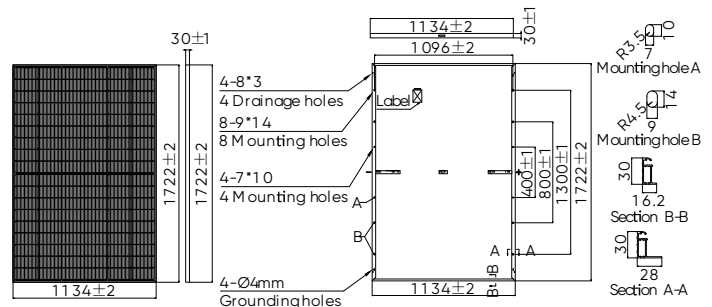
I-V CURVE

SAS425N-108M10/I-V



MECHANICAL CHARACTERISTICS

Solar Cells	N-type Mono
No. of Cells	108 (6x18)
Dimensions	1722 x 1134 x 30mm
Weight	20.5kg
Front Glass	3.2mm coated tempered glass
Frame	Anodized aluminium alloy (reinforced high-load optional)
Junction Box	Ip68 rated (3 by pass diodes)
	4.0mm ²
Output Cables	250mm (+) / 350mm (-)
	Length can be customized
Connectors	Mc4 compatible
Mechanical load test	Front 5400Pa / Rear 2400Pa



OPERATING CHARACTERISTICS

Operating Module Temperature	-40°C to +85°C
Maximum System Voltage	1500 DC (IEC)
Maximum Series Fuse Rating	30A
Power Tolerance	0/+5W

TEMPERATURE CHARACTERISTICS

Nominal Operating Temperature (NMOT)	45±2°C
Temperature Coefficient of Pmax	-0.29%/°C
Temperature Coefficient of Pmax	-0.25%/°C
Temperature Coefficient of Pmax	+0.045%/°C